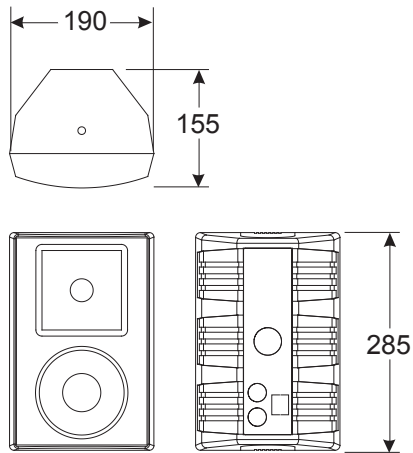


# S O U N D   P R O J E C T S

## Gluon



TECHNICAL SPECIFICATIONS

### System

Frequency response

Horizontal coverage

Vertical coverage

Powerhandling continuous

AMP Power (recom.)

Peak SPL (Cont.+6dB)

Transducers

Grille

Net weight

### Gluon

45Hz-20kHz

90 degrees

60 degrees

50W @ 16ohm RMS

100W @ 16ohm

114 dB

5"/1"

Powder coated steel  
grill

3.2kg